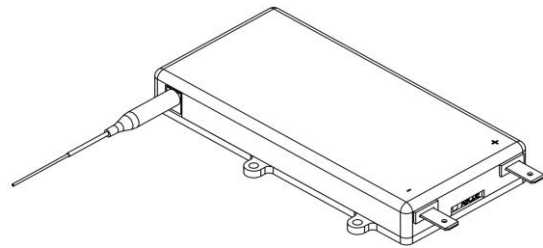
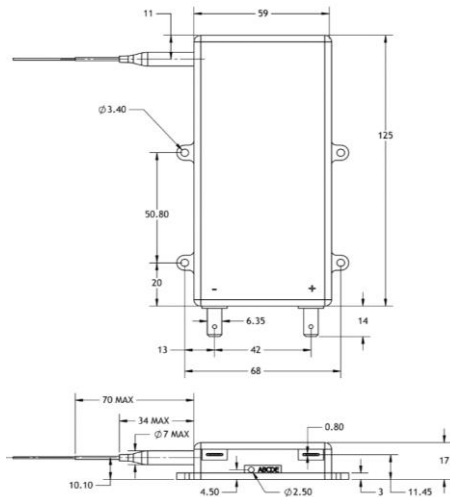


**Item Description** e24i-24-375-0976-3-200-0.22-SI-FPT-2.0-HT  
**Model** e24i.3750976200

**ECCN:** 6A005.d.1.b.1 <sup>4</sup>

|   | Units   | Lower Spec | Typical                         | Upper Spec |
|---|---------|------------|---------------------------------|------------|
| <b>Optical</b>  |         |            |                                 |            |
| CW Output Power (in fiber)                                  | W       |            | 375                             |            |
| CW Output Power (as measured)                               | W       | 343        | 362                             |            |
| Wavelength Centroid   | nm      | 973.0      | 976.0                           | 979.0      |
| Spectral Width (FWHM)                                       | nm      |            | 3.6                             | 7.0        |
| NA within 95% Power Enclosure                               | -       |            | 0.16                            |            |
| Fiber Core / Clad Diameter                                  | µm      |            | 200 / 220                       |            |
| Fiber NA / Index Type                                       | -       |            | 0.22 NA / Step Index            |            |
| Back Reflection Isolation 1030 - 1200nm                     | dB      | 15         |                                 |            |
| <b>Electrical</b>   |         |            |                                 |            |
| Electrical-to-Optical Efficiency                            | %       |            | 49                              |            |
| Threshold Current   | A       |            | 1.0                             |            |
| Operating Current   | A       |            | 20.0                            | 20.0       |
| Operating Voltage   | V       |            | 38.5                            | 39.0       |
| <b>Mechanical</b>   |         |            |                                 |            |
| Mass  | g       |            | 507                             |            |
| Fiber Length  | m       | 1.5        | 2.0                             |            |
| Active Fiber Bend Radius                                    | mm      | 35         |                                 |            |
| Fiber Jacketing   | -       |            | 900 µm Hytrel Loose Tube Buffer |            |
| Fiber Termination   | -       |            | FPT                             |            |
| <b>Thermal</b>  |         |            |                                 |            |
| Waste Heat  | W       |            | 395                             |            |
| Operating (Housing) Temperature <sup>2,3</sup>              | °C      |            | +30                             |            |
| Wavelength Temperature Coefficient                          | nm / °C |            | 0.35                            |            |
| Wavelength Current Coefficient                              | nm / A  |            | 0.6                             |            |
| <b>Outline Drawing (Package Dimension 68 x 125 x 17 mm)</b> |         |            |                                 |            |



**Notes**

- 1 Production specification shown are for beginning of life performance. End of life operating current (Iop) is 110% beginning of life Iop.
- 2 A non-condensing environment is required for operation and storage. Storage conditions are from -20 to +70 °C with relative humidity between 5 to 85 %.
- 3 Operating temperature defined by the package housing.
- 4 Export Control Classification Number (ECCN) as defined by the Export Administration Regulations (EAR).

This product is not certified in accordance with IEC 60825-1 or 21CFR1040.10/ 21CFR1040.11 and is solely intended to be integrated into a laser product certified by the Purchaser. The Purchaser acknowledges that their product (incorporating the nLIGHT laser product) must comply with the applicable regulations before it can be sold.



**Notice**  
 nLIGHT continually improves its products to provide customers with outstanding quality and reliability, therefore may change certain specifications and product descriptions at any time, without notice. Additionally, nLIGHT offers a limited warranty to ensure customer satisfaction. For complete details, please contact an nLIGHT sales representative.



nLight Corporation  
 5408 NE 88th Street, Bldg E  
 Vancouver, Washington 98665  
 United States of America  
 Phone: 866.202.4488