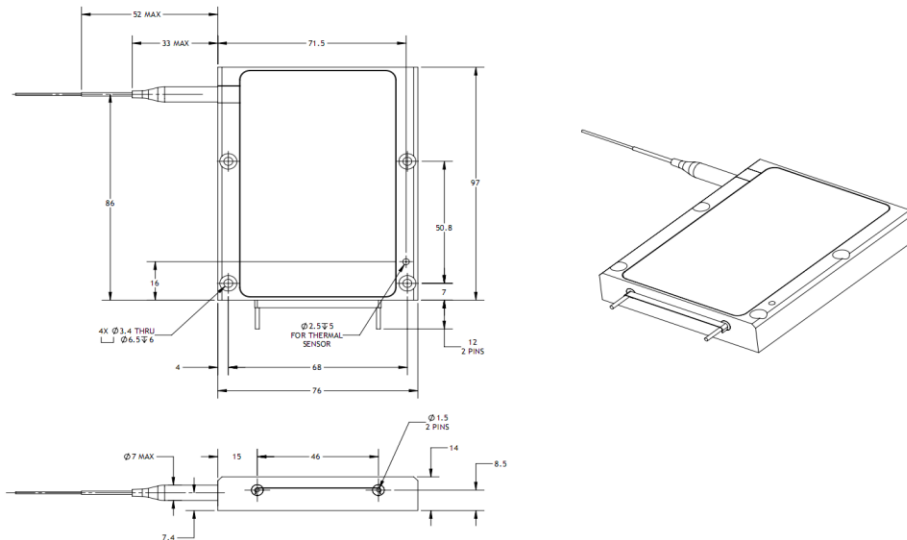


Item Description **e18-18-190-0976-3-105-0.22-SI-FPT-2.0-HT**
 Model **e18.1900976105**

ECCN: EAR99 ⁴

| | Units | Lower Spec | Typical | Upper Spec |
|--|---------|------------|---------------------------------|------------|
| Optical | | | | |
| CW Output Power (in fiber) | W | | 190 | |
| CW Output Power (as measured) | W | 165 | 183 | |
| Wavelength Centroid | nm | 973.0 | 976.0 | 979.0 |
| Spectral Width (FWHM) | nm | | 4.7 | 7.0 |
| Power within 0.15 NA | % | | 95 | |
| Fiber Core / Clad Diameter | µm | | 105 / 125 | |
| Fiber NA / Index Type | - | | 0.22 NA / Step Index | |
| Electrical | | | | |
| Electrical-to-Optical Efficiency | % | | 44 | |
| Threshold Current | A | | 0.4 | |
| Operating Current | A | | 14.0 | 14 |
| Operating Voltage | V | | 30.5 | 32.1 |
| Mechanical | | | | |
| Mass | g | | 510 | |
| Fiber Length | m | 1.5 | 2.0 | |
| Active Fiber Bend Radius | mm | 25 | | |
| Fiber Jacketing | - | | 900 um Hytrel Loose Tube Buffer | |
| Fiber Termination | - | | FPT | |
| Thermal | | | | |
| Waste Heat | W | | 238 | |
| Operating (Housing) Temperature ^{2,3} | °C | | +30 | |
| Wavelength Temperature Coefficient | nm / °C | | 0.35 | |
| Wavelength Current Coefficient | nm / A | | 1.2 | |

Outline Drawing (Package Dimension 97 x 76 x 14 mm)



Notes

- ¹ Production specification shown are for beginning of life performance. End of life operating current (Iop) is 120% beginning of life Iop.
- ² A non-condensing environment is required for operation and storage. Storage conditions are from -20 to +70 °C with relative humidity between 5 to 85 %.
- ³ Operating temperature defined by the package housing. Acceptable operating range is 20 - 35C, but performance may vary.
- ⁴ Export Control Classification Number (ECCN) as defined by the Export Administration Regulations (EAR)



nLight Corporation
 5408 NE 88th Street, Bldg E
 Vancouver, Washington 98665
 United States of America
 Phone: 866.202.4488
 360.566.4460
 Fax: 360.546.1960
 e-mail: sales@nlight.net
 web: www.nlight.net

This product is not certified in accordance with IEC 60825-1 or 21CFR1040.10/21CFR1040.11 and is solely intended to be integrated into a laser product certified by the Purchaser. The Purchaser acknowledges that their product (incorporating the nLIGHT laser product) must comply with the applicable regulations before it can be sold.



Notice
 nLIGHT continually improves its products to provide customers with outstanding quality and reliability, therefore may change certain specifications and product descriptions at any time, without notice. Additionally, nLIGHT offers a limited warranty to ensure customer satisfaction. For complete details, please contact an nLIGHT sales representative.